

# ASSEMBLY AND INSTALLATION INSTRUCTIONS FOR ITEM #856/#858

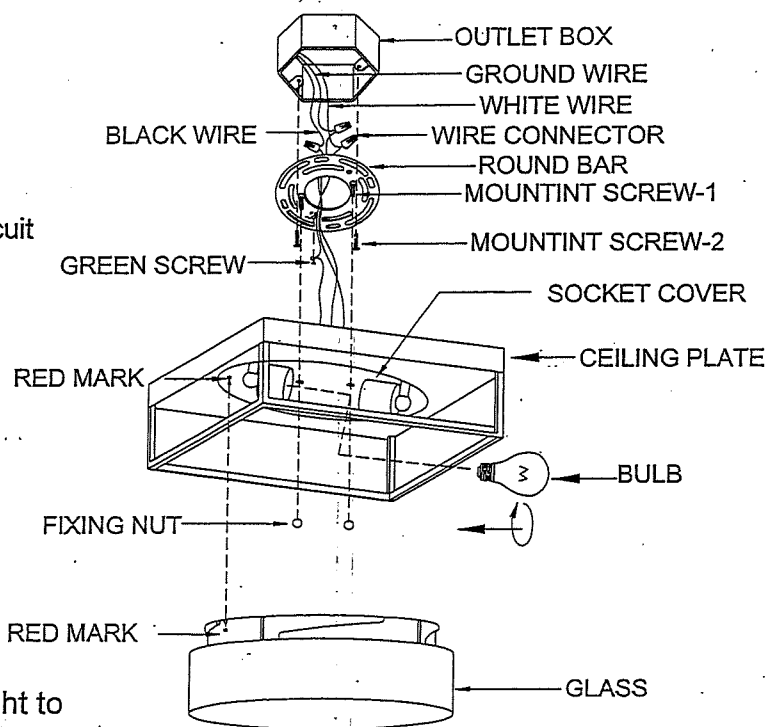
## WARNING

TO AVOID RISK OF ELECTRICAL SHOCK, BE SURE TO SHUT OFF POWER WHILE INSTALLING OR SERVICING THIS FIXTURE.

**NOTE:** Should any difficulty be experienced, please consult a qualified electrician before installing.

### Installation steps:

1. Turn off the electricity at the Fuse or Circuit Breaker before installation.
2. Attach the Round Bar to the Outlet Box by using 2PCS of Mounting Screw-2 upwards.
3. Make wire connections with Wire Connectors:
  - Connect the Black Wire from the light to the Black Wire from the Outlet Box.
  - Connect the White Wire from the light to the White Wire from the Outlet Box.
  - Attached the Ground Wire and House Ground Wire to the Round Bar with a Green Screw. Carefully tuck wires back into the Outlet Box.
4. Raise up the Ceiling Plate to the Round Bar and secure the Ceiling Plate in place by thread the Fixing Nuts to the Mounting Screws-1 from the Round Bar firmly.
5. Install Bulbs . (Bulbs are not included, please do not exceed the maximum capacity which is recommended on the Socket Cover.)
6. Assembly the glass : carefully attach the Glass to the Ceiling Plate; make sure the Red Mark on the glass towards the Red Mark on the inside wall of the ceiling plate, after the Glass sit inside the Ceiling Plate, rotate the Glass clockwise until the glass sit firmly.
7. Turn on the power at Fuse or Circuit Box and enjoy your new fixture.



# TOLTEC

—LIGHTING—