

# ASSEMBLY AND INSTALLATION INSTRUCTIONS FOR ITEM #842

## WARNING

TO AVOID RISK OF ELECTRICAL SHOCK, BE SURE TO SHUT OFF POWER WHILE INSTALLING OR SERVICING THIS FIXTURE.

**NOTE:** Should any difficulty be experienced, please consult a qualified electrician before installing.

### Installation steps:

1. Turn off the electricity at the Fuse or Circuit Breaker before installation.

2. Attach the Round Bar to the Outlet Box by using 2PCS of Long Mounting Screw-2 upwards.

3. Make wire connections with Wire Connectors:

---Connect the Black Wire from the light to the Black Wire from the Outlet Box.

---Connect the White Wire from the light to the White Wire from the Outlet Box.

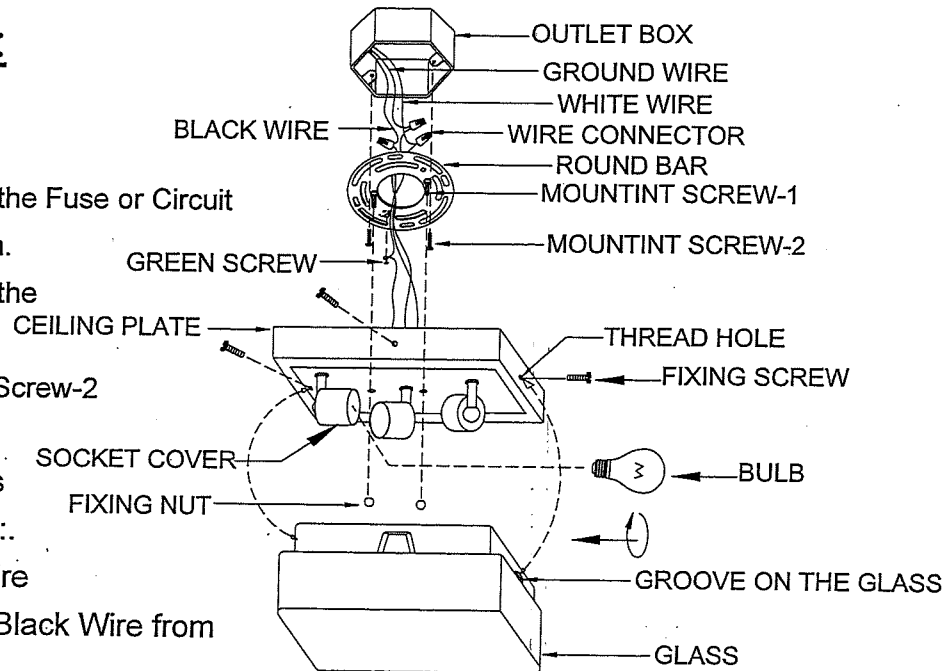
---Attached the Ground Wire and House Ground Wire to the Round Bar with a Green Screw. Carefully tuck wires back into the Outlet Box.

4. Raise up the Ceiling Plate to the Round Bar and secure with the Fixing Nuts to the Mounting Screw-1.

5. Install Bulbs . (Bulbs are not included, please do not exceed the maximum capacity which is recommended on the Socket Cover.)

6. Carefully attached the Glass to the Ceiling Plate, make sure the Grooves on the glass towards the Thread Holes on the Ceiling Plate and secure the Glass with the Fixing Screws.

7. Turn on the power at Fuse or Circuit Box and enjoy your new fixture.



# TOLTEC

—LIGHTING—