

## SEMI-FLUSH FIXTURE INSTALLATION INSTRUCTIONS

Please read carefully and save these instructions, as you may need them a later date.

### CAUTION

Turn off the main power at the circuit breaker before installing the fixture, in order to prevent possible shock.

### GENERAL

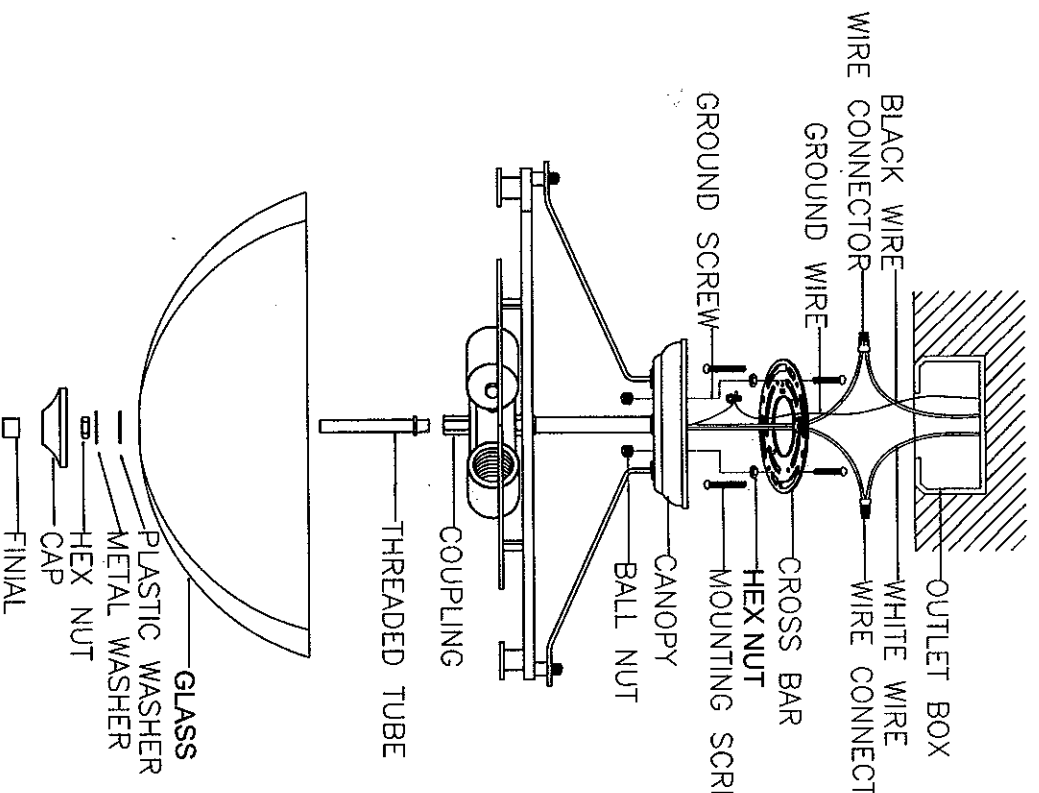
All electrical connections must be in accordance with local and National Electrical Code (N.E.C) standards. If you are unfamiliar with proper electrical wiring connections obtain the services of a qualified electrician.

Remove the fixture and the mounting package from the box and make sure that no parts are missing by referencing the illustrations on the installation instructions.

### ASSEMBLY AND INSTALLATION

- 1, Attach the Screw with the Hex Nut to the Cross bar, then attach the Cross Bar to the Outlet Box by using 2pcs Mounting Screws-2
- 2, Make wire connections:
  - Twist together the white wire from the fixture with the white wire from outlet box. Cover with wire connector
  - Twist together the black wire from the fixture with the black wire from outlet box. Cover with wire connector
  - Attach the ground wire to the cross bar with a green ground screw.
- 3, Place the Canopy against the Outlet box, secure with the Ball nut.
4. Screw the Treaded tube onto the Coupling, then put the Glass onto it.
5. Insert the Plastic Washer, Metal washer and use the Hex nut screw tightly. Then put the Cap and use Finial Screw it.
- 6, Install bulbs. (Please do not exceed the maximum capacity which is recommended on the sockets).

INSTALLATION IS NOW COMPLETED.



ITEM NO. 321-DG-463, 321-DG-464  
321-AS-464