

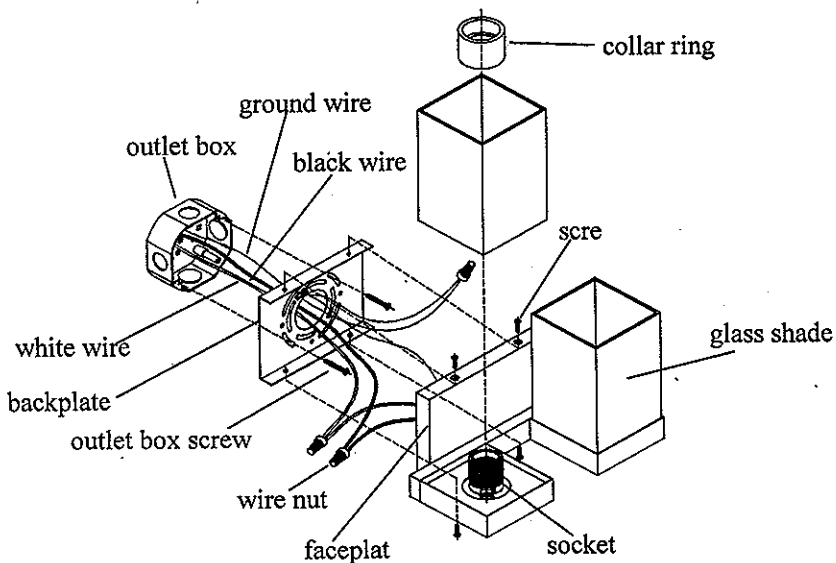
# ASSEMBLY AND INSTALLATION INSTRUCTIONS

**WARNING:** TO AVOID RISK OF ELECTRICAL SHOCK, BE SURE TO SHUT OFF POWER WHILE INSTALLING OR SERVICING THIS FIXTURE.

**NOTE:** Before installing, consult local electrical codes for wiring and grounding requirement.

1. Fix the backplate to the outlet box using 4 outlet box screws.
2. Make wire connections:
  - Attach ground wire to house ground wire using a wire nut or attach them to the universal crossbar with a green ground screw.
  - Attach white wire from light to white wire from power source with a wire nut.
  - Attach black wire from light to black wire from power source with a wire nut.

Observing: positive wire with positive wire, negative wire with negative wire, ground wire with ground wire.
3. Tuck the wire connections neatly into the outlet box.
4. Aim the faceplate to the universal crossbar and secure it by the supplied screws on top and bottom of faceplate.
5. Put glass shade onto the socket and secure it with collar ring.
6. Install bulb.(not included) (Please do not exceed the maximum capacity which is recommended on the fixture.)
7. Turn on the power at fuse or circuit box.



3122  
3123  
3124  
3125  
3126