

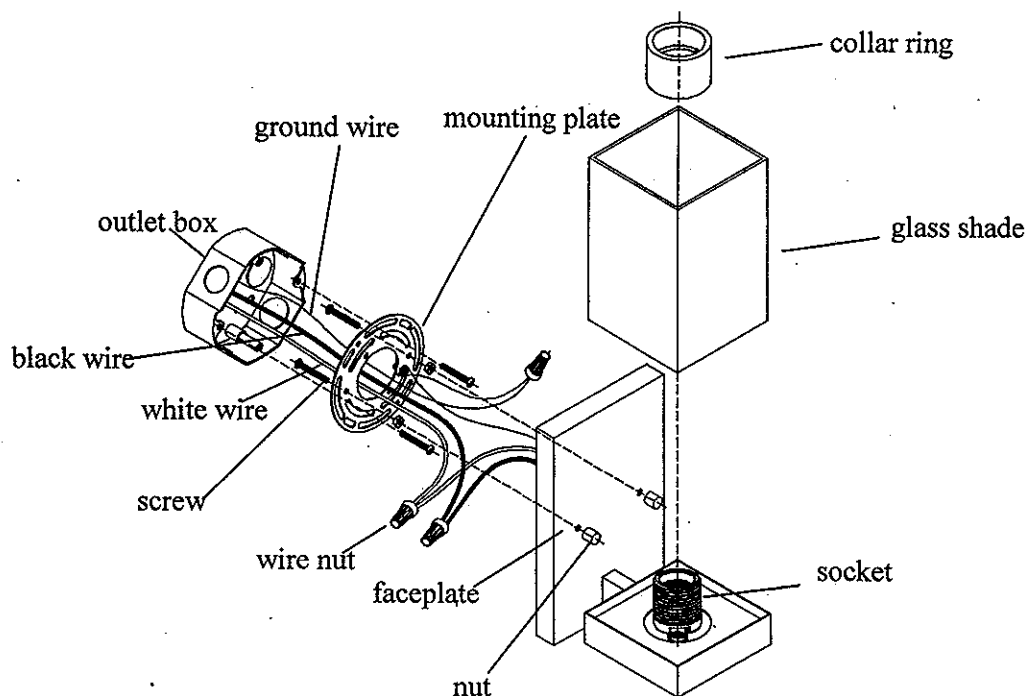
# ASSEMBLY AND INSTALLATION INSTRUCTIONS

**WARNING:** TO AVOID RISK OF ELECTRICAL SHOCK, BE SURE TO SHUT OFF POWER WHILE INSTALLING OR SERVICING THIS FIXTURE.

**NOTE:** Before installing, consult local electrical codes for wiring and grounding requirement.

1. Let the two supplied screws pass through the holes specially provided on the mounting plate.
2. Attach the mounting plate to the outlet box using two mounting screws.
3. Make wire connections:
  - Attach ground wire to house ground wire using a wire nut or attach them to the universal crossbar with a green ground screw.
  - Attach white wire from light to white wire from power source with a wire nut.
  - Attach black wire from light to black wire from power source with a wire nut.

Observing: positive wire with positive wire, negative wire with negative wire, ground wire with ground wire.
4. Aim the lamp body to the two supplied screws and fasten it with two nuts.
5. Put glass shade onto the socket and secure it with collar ring.
6. Install bulb taking care of the prescribed watt value.
7. Turn on the power at fuse or circuit box.



3121