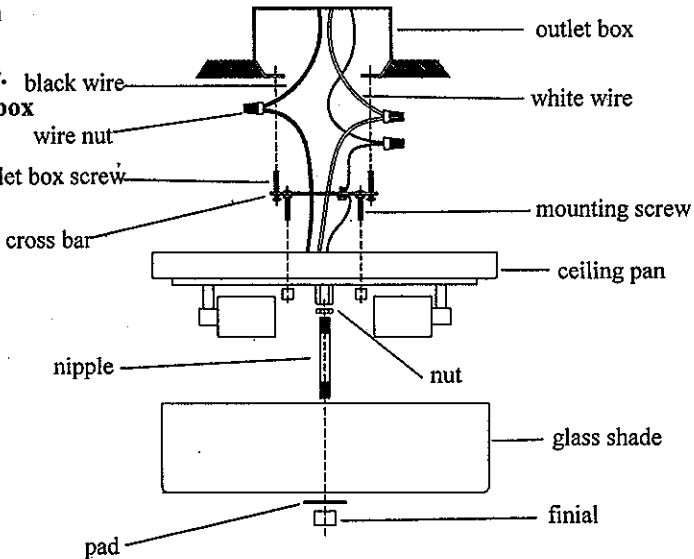


ASSEMBLY AND INSTALLATION INSTRUCTIONS

WARNING: TO AVOID RISK OF ELECTRICAL SHOCK, BE SURE TO SHUT OFF POWER WHILE INSTALLING OR SERVICING THIS FIXTURE.

NOTE: Before installing, consult local electrical codes for wiring and grounding requirement.

1. Remove the 2 mounting screws from the cross bar. Let the 2 mounting screws pass through the 2 relevant mounting holes pre-drilled on the ceiling pan and fix them on the cross bar.
2. Attach the cross bar & ceiling pan to outlet box using 2 outlet box screws upwards.
3. Make wire connections:
 - Attach ground wire to house ground wire using a wire nut or attach them to the cross bar with a green ground screw.
 - Attach white wire from light to white wire from power source with a wire nut.
 - Attach black wire from light to black wire from power source with a wire nut.Observing: positive wire with positive wire, negative wire with negative wire, ground wire with ground wire.
4. Tuck the wire connections neatly into the outlet box.
5. Install bulb.(not included) (Please do not exceed the maximum capacity which is recommended on the fixture.)
6. Thread the nipple onto the nut.
Put the glass shade , metal pad and secure it with finial.
7. Turn on the power at fuse or circuit box.



3029