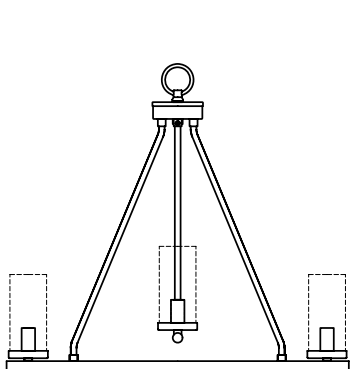
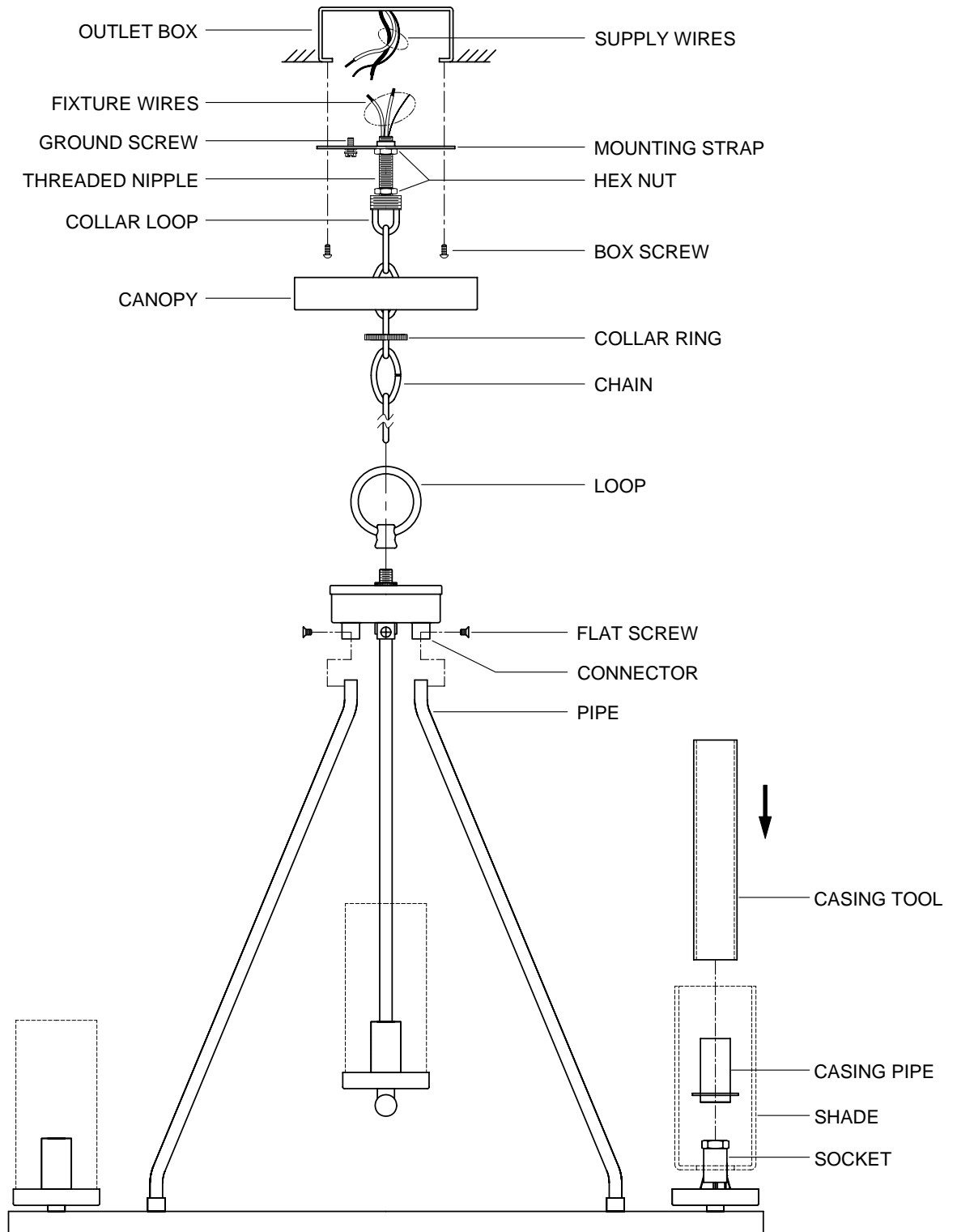
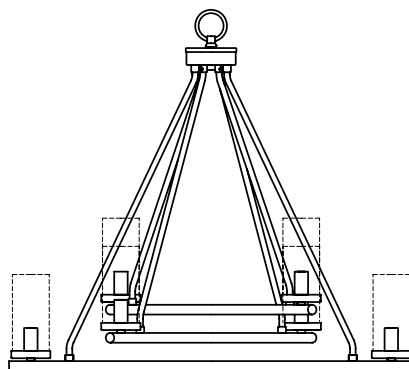


ASSEMBLY & INSTALLATION INSTRUCTIONS



2804



2806

Hanging Fixture Installation and Wiring Instructions

NOTE: ALWAYS TURN POWER OFF BEFORE INSTALLING LIGHTING FIXTURES!

IMPORTANT: YOU SHOULD USE A QUALIFIED ELECTRICIAN TO INSTALL THIS FIXTURE.

Installation (see Fig.A)

1. Disconnect power at main electrical panel before installation.
2. Attach **mounting strap** to **outlet box** using **box screws** provided with **outlet box**.
3. Screw **threaded nipple** into **collar loop** as far as it will go. Secure with **lock washer** and **hexnut**.
4. Screw **threaded nipple** into **mounting strap** approximately 1/2 inch. Adjust height of **collar loop** by temporarily holding **canopy** in place against ceiling with **collar loop** extending downward through hole in **canopy**.
5. Use pliers to open one end link of the **chain** and attach to **loop** on fixture. Close link. Thread **fixture wire** through **chain** links, weaving wire through every second link.
6. Pull ends of **chain** and wires through **collar ring** and **canopy**.
7. Use pliers to open the other end link of **chain** and attach to **collar loop**. Close link.
8. Pass ends of **fixture wires** through center hole of **collar loop**, **threaded nipple**, and **mounting strap**.

Wiring (see Fig.B)

9. Split the conductors of the **fixture wire** about 4 inches. Being careful not to expose any of the wire inside of the insulation.
10. Connect the **fixture ground wire** to the **outlet box ground wire** using **wirenut**. Connect **outlet box ground wire** to **mounting strap** with GREEN hex-head **ground screw** to tapped hole in **mounting strap** marked "GND".
11. Connect the half of the **fixture wire** that is white, marked, or has a ribbed surface to the **outlet box supply wire** (WHITE). Connect the other half of the **fixture wire** that is black, unmarked, or has a smooth surface to the **outlet box supply wire** (BLACK or RED). Use **wirenuts** provided.
12. Spread the electrical splices so that the black wire are on one side of the **outlet box** and the white wire are on the other side.
13. Slide **canopy** up into place against ceiling. Slide **collar ring** up and thread onto **collar loop** to secure **canopy** in place.

NOTE: Make sure chain supports the weight of the light fixture and no weight is on either supply or ground wires.

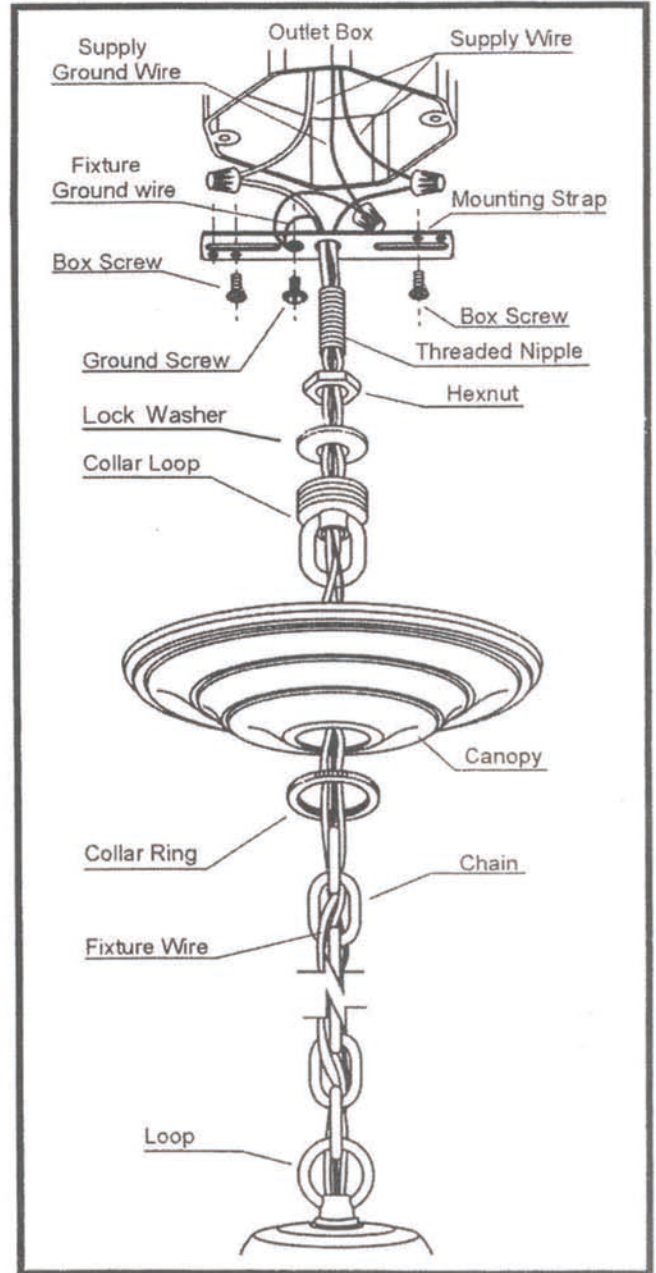


Fig. A

Grounding Detail

Connect Black or Red House Wire to:	Connect White House Wire to:
Black	White
Parallel cord - SPT I & II (round & smooth)	Parallel cord - SPT I & II (square & ridged)
Clear, Brown, Gold or Black (without tracer)	Clear, Brown, Gold or Black (with tracer)
Insulated Wire (Other than Green) with copper conductor	Insulated Wire (Other than GREEN) with silver conductor

Fig. B