

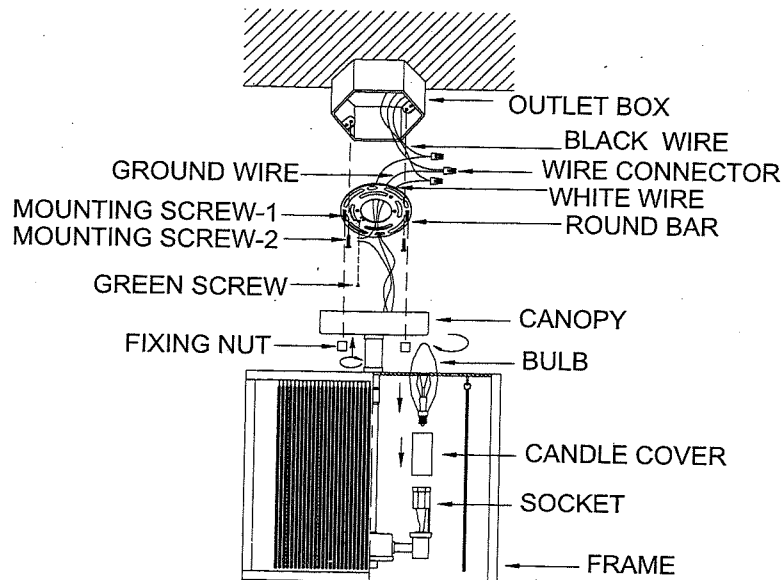
ASSEMBLY AND INSTALLATION INSTRUCTIONS

FOR ITEM #1337MBBN /#1347MBBN

WARNING:

TO AVOID RISK OF ELECTRICAL SHOCK, BE SURE TO SHUT OFF POWER WHILE INSTALLING OR SERVICING THIS FIXTURE.

NOTE: Should any difficulty be experienced, please consult a qualified Electrician before installing.



Installation steps:

1. Turn off the electricity at the Fuse or Circuit Breaker before installation.
2. Attach the Round Bar to the Outlet Box by using 2PCS of Mounting Screw-2 upwards.
3. Make wire connections with Wire Connectors:
 - Connect the Wire (W/ marking) from the light to the Black Wire from the Outlet Box.
 - Connect the Wire (W/O marking) from the light to the White Wire from the Outlet Box.
 - Attached the Ground Wire and House Ground Wire to the Cross Bar with a Green Screw.Carefully tuck wires back into the Outlet Box.
4. Raise up the fixture and attach the Canopy to the Round Bar and secure it in place with the two Fixing Nuts.
5. Put the Candle Covers to the Sockets and Install Bulbs. (Bulbs are not included, please do not exceed the maximum capacity which is recommended on the Candle Cover.)
6. Turn on the power at Fuse or Circuit Box and enjoy your new fixture.

TOLTEC

—LIGHTING—