

CHANDELIER FIXTURE **INSTALLATION INSTRUCTIONS**

Please read carefully and save these instructions, as you may need them a later date.

CAUTION

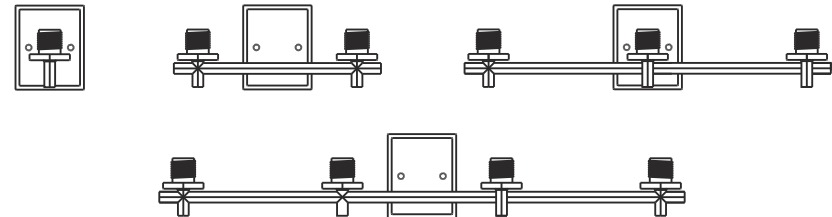
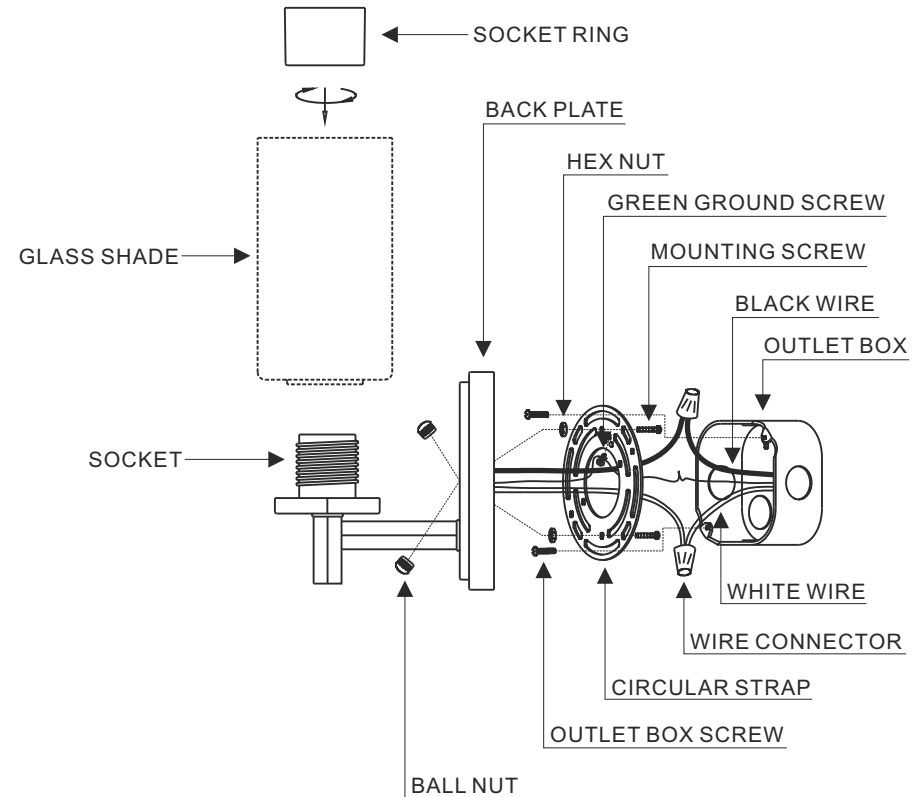
Turn off the main power at the circuit breaker before installing the fixture, in order to prevent possible shock.

GENERAL

All electrical connections must be in accordance with local and National Electrical Code(N. E. C) standards. If you are unfamiliar with proper electrical wiring connections obtain the services of a qualified electrician. Remove the fixture and the mounting package from the box and make sure that no parts are missing by referencing the illustrations on the installation instructions.

ASSEMBLY AND INSTALLATION

1. Thread the Mounting screws into the matching holes of Circular strap, and tighten with the Hex nuts. Secure the Circular strap to the Outlet box with the Outlet box screws.
2. Make wire connections with wire connector:
 - The Black wire from fixture to Black wire from power source.
 - The White wire from fixture to White wire from power source.
 - Attach the ground wire and house ground wire to the Circular strap with the green ground screw. Carefully tuck wire back into the outlet box.
3. Place the Back plate against the Outlet box, secure with the Ball nuts.
4. Attach the Glass shade (Not included, sold separately) onto the Socket, tightened by screwing Socket ring.
5. Install light bulb (Not included). (Please do not exceed the maximum capacity which is recommended on the socket).



ITEM NO:1211, 1212, 1213, 1214