

## BILLIARD FIXTURE INSTALLATION INSTRUCTIONS

Please read carefully and save these instructions, as you may need them a later date.

### CAUTION

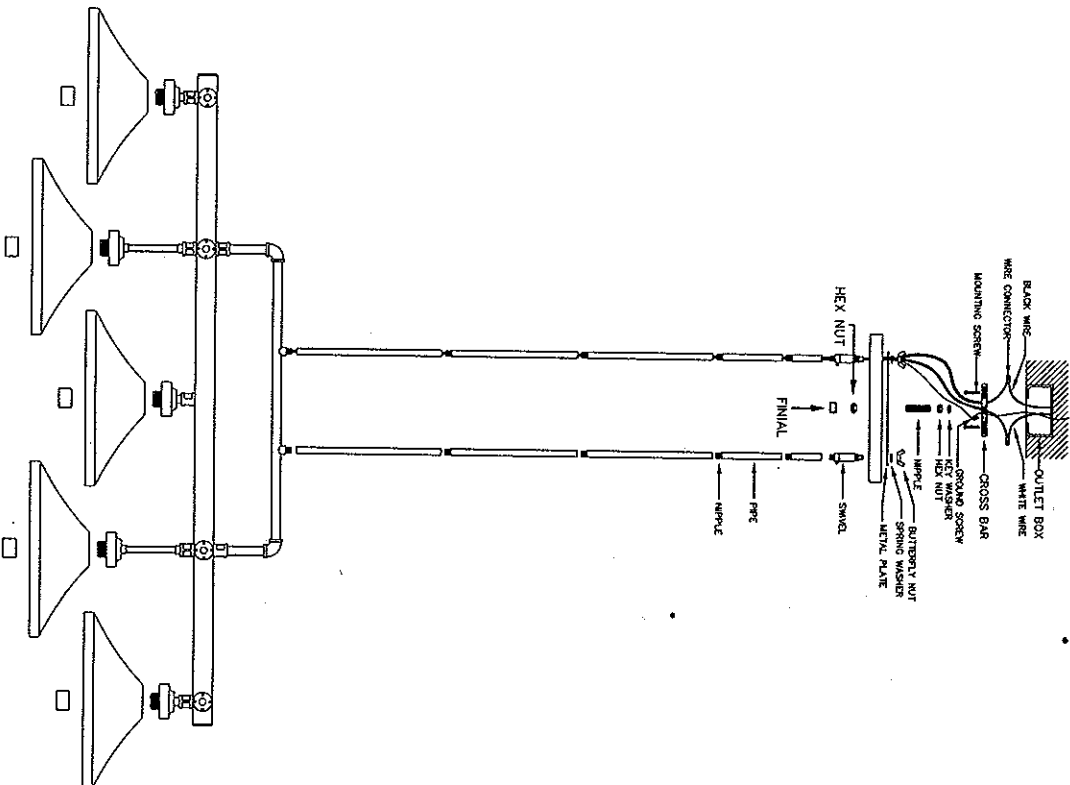
Turn off the main power at the circuit breaker before installing the fixture, in order to prevent possible shock.

### GENERAL

All electrical connections must be in accordance with local and National Electrical Code (N.E.C.) standards. If you are unfamiliar with proper electrical wiring connections obtain the services of a qualified electrician.  
Remove the fixture and the mounting package from the box and make sure that no parts are missing by referencing the illustrations on the installation instructions.

### ASSEMBLY AND INSTALLATION

1. Thread the Nipple with the Key Washer and Hex Nut to the Cross bar, then attach the Cross Bar to the Outlet Box by using 2pcs Mounting Screws.
  2. Connect all the Pipe onto the Nipple.
  3. Screw Swivel onto canopy, insert Metal plate and Spring Washer, then use Butterfly nut screw tightly.
  4. Make wire connections:
    - Smooth wire (w/markings) from the light to black wire from power source.
    - Ribbed wire (w/o marking) from the light to white wire from power source
    - Attach the ground wire to the cross bar with a ground screw. Carefully tuck wire back into the OUTLET BOX
  5. Place the Canopy against the Outlet box, secure with the Hex nut and Final.
  6. Attach the Metal Shade (SHADE SOLD SEPARATELY) to the Socket and screw with the Socket Ring.
  7. Install bulbs. (Please do not exceed the maximum capacity which is recommended on the sockets).
- INSTALLATION IS NOW COMPLETED.**



ITEM NO. 1145