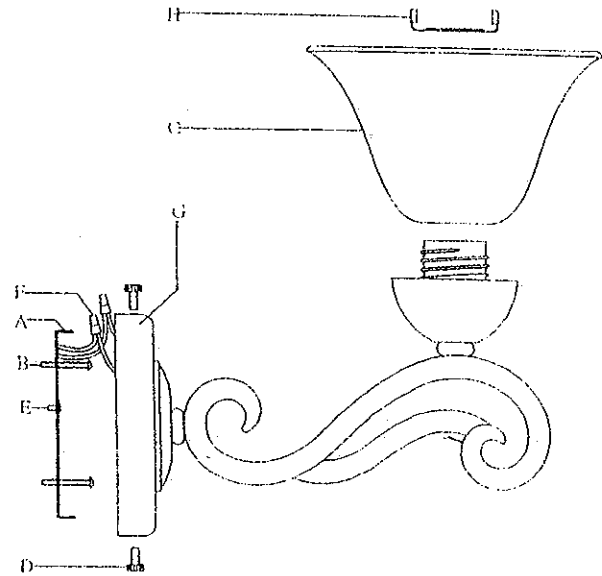


# INSTALLATION INSTRUCTIONS

## PARTS:

- A. Mounting Plate (1PC.)
- B. Mounting Screw (2PCS.)
- C. Glass Shade (1PC.)
- D. Sconce Mounting Screw (2PCS.)
- E. Green Ground Screw (1PC.)
- F. Wire Connector (2PCS.)
- G. Sconce Plate (1PC.)
- H. Threaded Shade Ring (1PC.)



## BEFORE INSTALLATION:

These instructions are provided for your safety. It is very important that they are read carefully and completely before beginning installation of the lamp. We strongly suggest that a professional electrician install all direct wired fixtures.

**NOTE: THIS FIXTURE IS RATED FOR A 100-WATT STANDARD BULB (NOT INCLUDED). TO PREVENT THE RISK OF FIRE, DO NOT EXCEED RECOMMENDED WATTAGE.**

## TO INSTALL:

1. Shut off main electrical supply from the fuse box / circuit breaker.
2. Gently pull the wires from the wall outlet box and allow the wires to hang. Thread the wires through the center hole in Mounting Plate (A).
3. Attach the Mounting Plate (A) to outlet box using Mounting Screws (B).
4. Attach the fixture ground wire to mounting plate (A) using the Green Ground Screw (E).

**IT IS IMPERATIVE THAT OUTLET BOX IN YOUR HOME BE PROPERLY GROUNDED.**

5. Connect the neutral (white) fixture wire to the neutral (white) outlet wire. Fasten together with a Wire Connector (F).
6. Repeat this procedure with the hot (black) wires, always make sure that no wire strands are left outside of the connectors.
7. Once wiring is complete, attach the Sconce Plate (G) to the Mounting Plate (A) with two Sconce Mounting Screw (D) until tightly.
8. Remove the Threaded Shade Ring (H), and Place the Glass Shade (C) onto socket, then reinstall the Threaded Shade Ring (H) until tightly.
9. Install a 100 Watt standard bulb (not included) into socket.