

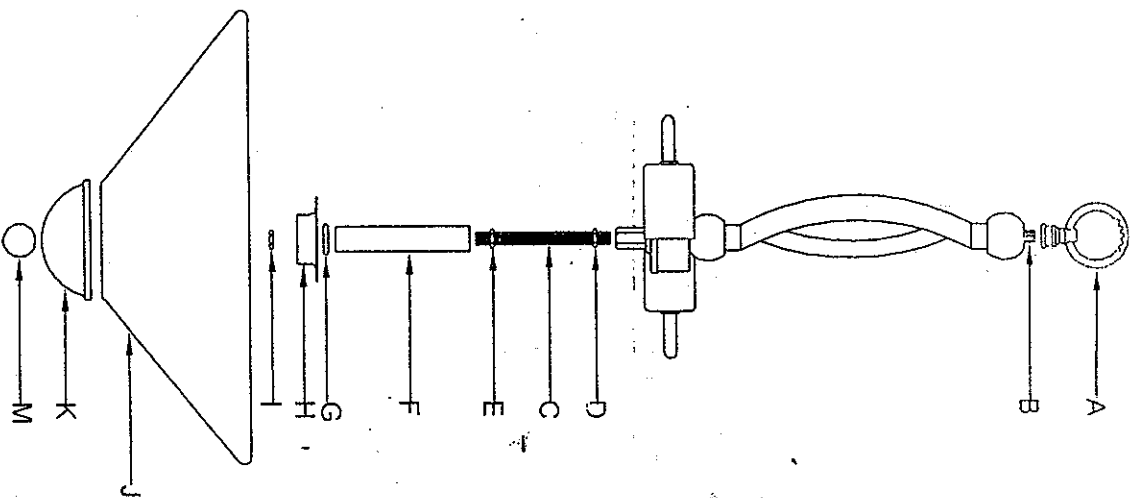
ASSEMBLY INSTRUCTION

Parts:

- A: Loop
- B: Nipple
- C: Nipple
- D: Hexagon Nut
- E: Hexagon Nut
- F: Tube
- G: Cap1
- H: Cap2
- I: Hexagon Nut
- J: Glass Shade <Not Inc luded>
- K: Half-round cover
- M: Decorative Nut

Steps:

1. Remove fixture from carton being carefully.
2. Assemble the chandelier by screwing Loop(A) into threaded section of Part(B) until tight.
3. Screw Nipple(C) into the Threaded section under the lampholder. And twist Hexagon Nut(D) to lock the Nipple(C) by upgrade.
4. Twist Hexagon Nut(E) at adersired Height as diagram shown. Insert Tube (F), Cap(G), Cap(H) and thread the Hexagon Nut(I) to secure the two caps.
5. Insert Glass Shade(J) <not included> and Half-round cover(K) as diagram stated. Then lock them with Decorative Nut(M).
6. Follow the usually steps of chandelier assembly.



INSTALLATION

Disconnect power at main fuse box before installing fixture to prevent possible injury from electrical shock.

Remove all parts and parts packages from carton.

In some cases it may be necessary to attach loop (11) top of fixture assembly (12). Guide fixture wire (10) through hole in loop, then screw loop onto threaded pipe protruding from top of frame.

Attach crossbar (4) to outlet box (16) with outlet box screws (3). Screw threaded nipple (6) into crossbar (4) approximately 1/2".

Connect screw collar loop (8) onto threaded nipple (6). Pass canopy (5) over screw collar loop (8). Approximately one-half of the screw collar loop exterior thread should be exposed. Adjust as required. Remove canopy. Slip threaded ring (7) onto chain, the canopy (5) onto chain. Attach other end link of chain to screw collar loop (8).

Weave electrical wires and grouting wire up chain, through screw collar loop (8) through threaded nipple (6) and into outlet box (16).

Attach bare copper ground wire from outlet box and copper ground wire from fixture under cupped washer (13) and secure with green ground screw (14) onto crossbar (4).

Splice smooth round fixture wire (10) to black supply wire (15) and ribbed or flat sided fixture wire (10) to white supply wire (1) using wire connectors (2).



CAUTION: Be certain no bare wire strands are exposed outside of wire connectors

Raise canopy (5) to ceiling, hold in place and secure with threaded ring (7) onto screw collar loop (11).

PARTS LIST:

- 1 white supply wire
- 2 wire connectors
- 3 outlet box screws
- 4 crossbar
- 5 canopy
- 6 threaded nipple
- 7 threaded ring
- 8 collar loop
- 9 chain
- 10 fixture wire
- 11 loop
- 12 fixture assembly
- 13 cupped washer
- 14 green ground screw
- 15 black supply wire
- 16 outlet box

