

SEMI-FLUSH FIXTURE INSTALLATION INSTRUCTIONS

Please read carefully and save these instructions, as you may need them a later date.

CAUTION

Turn off the main power at the circuit breaker before installing the fixture, in order to prevent possible shock.

GENERAL

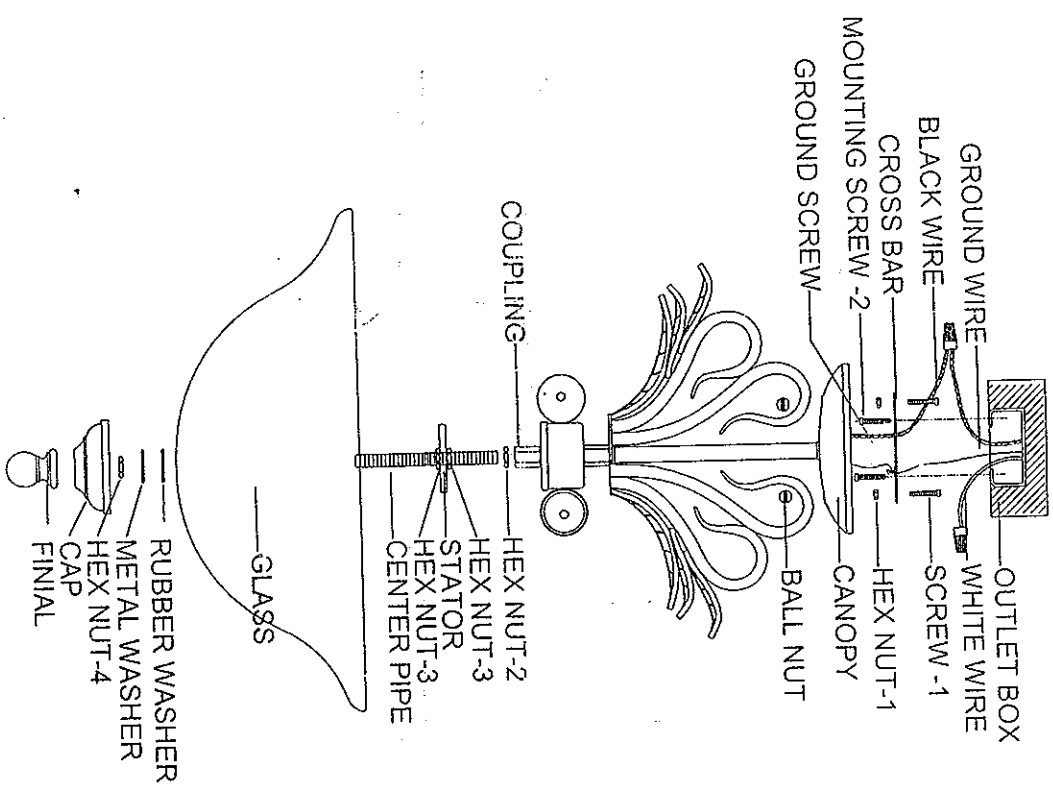
All electrical connections must be in accordance with local and National Electrical Code (N.E.C.) standards. If you are unfamiliar with proper electrical wiring connections obtain the services of a qualified electrician.

Remove the fixture and the mounting package from the box and make sure that no parts are missing by referencing the illustrations on the installation instructions.

ASSEMBLY AND INSTALLATION

- 1, Attach the Screw-1 with the Hex Nut-1 to the Cross bar, then attach the Cross Bar to the Outlet Box by using 2pcs Mounting Screws-2
 2. Make wire connections:
 - Smooth wire (w/w/ marking) from the light to black wire from power source.
 - Ribbed wire (w/o marking) from the light to white wire from power source
 - Attach the ground wire to the cross bar with a green ground screw.

Carefully tuck wire back into the OUTLET BOX
 - 3, Place the Canopy against the Outlet box, secure with the Ball nut. Screw the Center pipe with the Hex Nut-2 to the Coupling, then screw the other Hex Nut-3, STATOR and another Hex Nut-3 in the mid of Center Pipe.
 - 4, Install bulbs. (Please do not exceed the maximum capacity which is recommended on the sockets).
 5. Attach the GLASS (GLASS SOLD SEPARATELY, Please adjust the Stator in a propriety position and have it fit the Glass) to the fixture. Attach the RUBBER WASHER, METAL WASHER to the NIPPLE and screw with the HEX NUT-4, attach the bottom CAP to the GLASS and lock with Finial
- INSTALLATION IS NOW COMPLETED.**



ITEM NO. 201-BRZ & 210- BRZ