

## WALL SCONCE FIXTURE INSTALLATION INSTRUCTIONS

Please read carefully and save these instructions, as you may need them a later date.

### CAUTION

Turn off the main power at the circuit breaker before installing the fixture, in order to prevent possible shock.

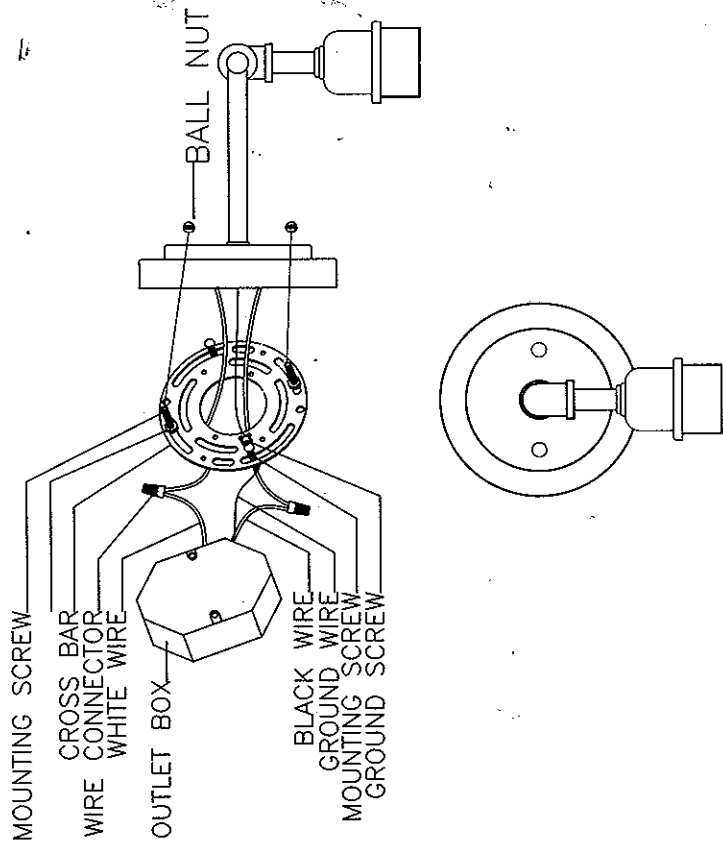
### GENERAL

All electrical connections must be in accordance with local and National Electrical Code (N.E.C.) standards. If you are unfamiliar with proper electrical wiring connections, obtain the services of a qualified electrician. Remove the fixture and the mounting package from the box and make sure that no parts are missing by referencing the illustrations on the installation instructions.

### ASSEMBLY AND INSTALLATION

- 1, Thread the Screw-1 to the Cross bar, then screw the Hex nut on the Screw-1.
- 2, Attach the Cross Bar to the Outlet Box by 2pcs Mounting Screws.
- 3, Make wire connections:
  - Smooth wire (w/markings) from the light to black wire from power source.
  - Ribbed wire (w/o markings) from the light to white wire from power source
- Attach the ground wire to the cross bar with a green ground screw. Carefully tuck wire back into the OUTLET BOX
- 4, Place the Back plate against the Outlet box, secure with the Ball nut
- 5, Install bulbs. (Please do not exceed the maximum capacity which is recommended on the sockets).

INSTALLATION IS NOW COMPLETED.



ITEM NO:181-DG , 181-AS