

WALL SCONCE FIXTURE INSTALLATION INSTRUCTIONS

Please read carefully and save these instructions, as you may need them a later date.

CAUTION

Turn off the main power at the circuit breaker before installing the fixture, in order to prevent possible shock.

GENERAL

All electrical connections must be in accordance with local and National Electrical Code (N.E.C) standards. If you are unfamiliar with proper electrical wiring connections obtain the services of a qualified electrician.

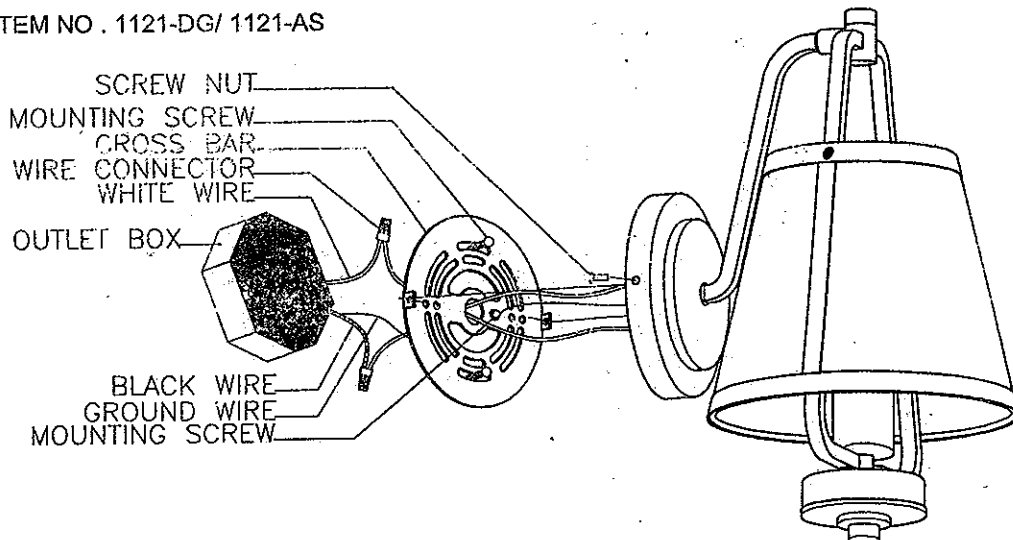
Remove the fixture and the mounting package from the box and make sure that no parts are missing by referencing the illustrations on the installation instructions.

ASSEMBLY AND INSTALLATION

- 1, Thread the Screw-1 to the Cross bar, then screw the Hex nut on the Screw-1.
- 2, Attach the Cross Bar to the Outlet Box by 2pcs Mounting Screws.
- 3, Make wire connections:
 - Smooth wire (w/markings) from the light to black wire from power source.
 - Ribbed wire (w/o markings) from the light to white wire from power source
 - Attach the ground wire to the cross bar with a green ground screw.Carefully tuck wire back into the OUTLET BOX
- 4, Place the Back plate against the Outlet box, secure with the Screw Nut.
5. Install bulbs: (Bulbs not including in the package)
(Please don't exceed the maximum capacity that recommended on the Sockets)

INSTALLATION IS NOW COMPLETED.

ITEM NO . 1121-DG/ 1121-AS



1121