

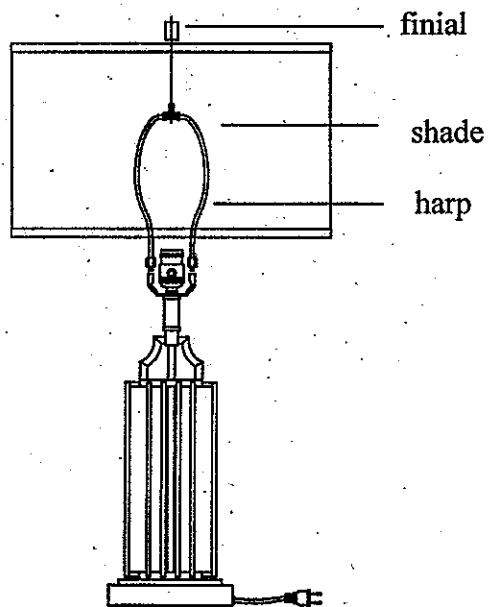
ASSEMBLY AND INSTALLATION INSTRUCTIONS

WARNING:

TO AVOID RISK OF ELECTRICAL SHOCK, BE SURE TO SHUT OFF POWER WHILE INSTALLING OR SERVICING THIS FIXTURE.

NOTE: Before installing, consult local electrical codes for wiring and grounding requirement.

1. Put the harp onto the lamp.
2. Put the shade onto the top of harp.
3. Secure the finial onto the shade.



1111