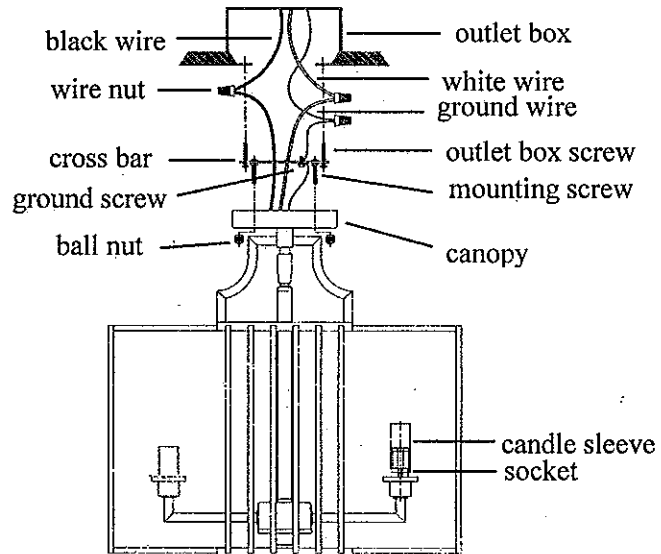


ASSEMBLY AND INSTALLATION INSTRUCTIONS

WARNING: TO AVOID RISK OF ELECTRICAL SHOCK, BE SURE TO SHUT OFF POWER WHILE INSTALLING OR SERVICING THIS FIXTURE.

NOTE: Before installing, consult local electrical codes for wiring and grounding requirement.

1. Thread 2 mounting screws properly into the relevant mounting holes pre-drilled on the cross bar.
2. Attach the cross bar to outlet box using 2 outlet box screws upwards.
3. Make wire connections:
 - Attach ground wire to house ground wire using a wire nut(A) or attach them to the cross bar with a green ground screw.
 - Attach white wire from light to white wire from power source with a wire nut(A).
 - Attach black wire from light to black wire from power source with a wire nut(A).Observing: positive wire with positive wire, negative wire with negative wire, ground wire with ground wire.
4. Tuck the wire connections neatly into the outlet box.
5. Attach the fixture body to the ceiling and let the 2 mounting screws pass through the 2 pre-drilled holes on the canopy and fix it in place by ball nuts.
6. Put candle sleeve onto the socket.
7. Install bulb.(not included) (Please do not exceed the maximum capacity which is recommended on the fixture.)
8. Turn on the power at fuse or circuit box.



1109